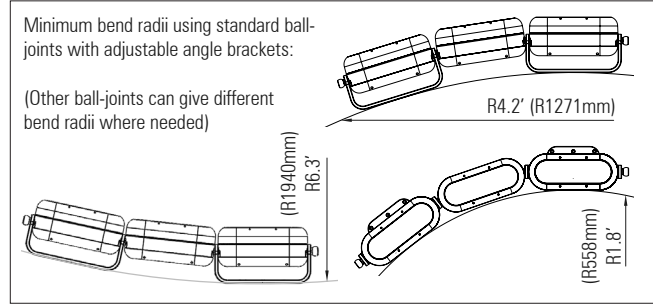
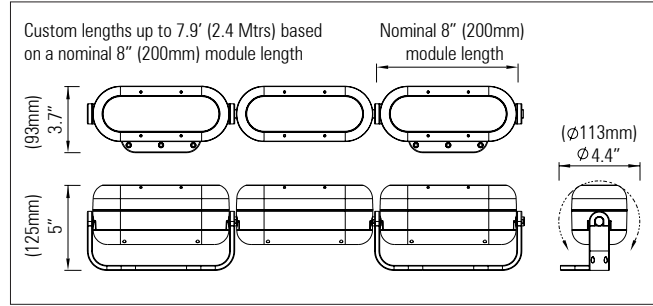
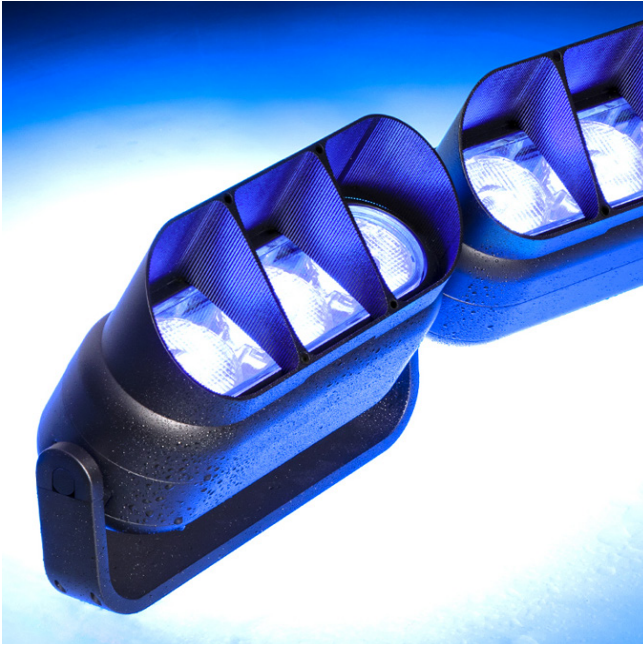


3D LED Flex system 200 RGBW IP66 Class 2

RGBW or tunable white LED arrays with colour-blending lenses

Modular, 3D flexible LED linear lighting system



1, 2 or 3 x high-power RGBW or tunable white LED cluster arrays with collimator lenses, per 8" (200mm) module

Modular, 3D flexible LED linear lighting system IP66 RGBW or tunable white

Product description:

Developed for use in a wide variety of large-scale exterior architectural lighting projects requiring highly controlled lighting effects for wall grazing and wall wash lighting, where the building surfaces are non-linear with curved profiles and facades

Each module comprises of: 1, 2 or 3 x LED cluster arrays, each comprising of 4x Luxeon Z or CZ white-light or RGBW LEDs with a ϕ 45mm Gaggione colour-blending lens

Up to 25 Watts per 8" (200mm) module

Flexible in 3 dimensions - Articulated ball-joint system between modules. Hand-bendable

Side, back and end power feed and connector options allow for continuous lighting with no dark areas between fixtures. 17.5 Amp IP68 connectors join strips together on-site

Integral AC to DC constant current drivers for white and RGBW LED allow long lengths to be powered from a single power feed. AC mains voltage input

Each of the 4 LEDs within the clusters of 4 LEDs can be a different colour, or white light colour temperature. Custom combinations can be specified. See grid for options

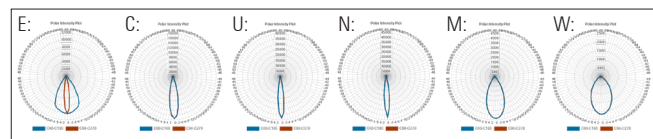
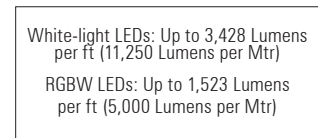
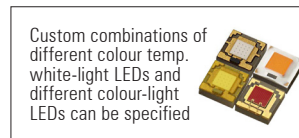
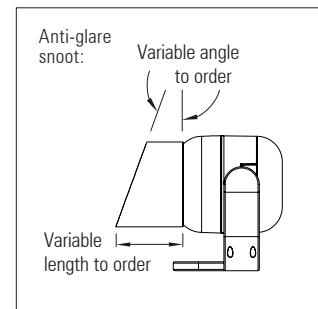
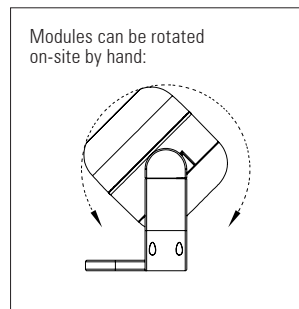
Dimming options available: 1-10V, DMX and DALI. Separate dimming channel

Satin black, satin white or any RAL paint colour finish

Custom lengths based on a 8" (200 mm) module length up to 7.9' (2.4 Mtrs)

Various mounting options and bracket types are available including custom designs

Anti-glare snoot accessories provide excellent glare control



Product Code	IP	Length	No. LEDs	LED Type	LED Colour / Colour Temp.(K)	CRI	Optics (°)	Bracket Type	Anti-glare Snoot	Feed	Finish
RAD 3D LED FLEX 200 IP 66 RGBW-1L	66	8" (200mm)	Per 8" module:	LUMI-LEDs:	Specify all 4x LEDs in cluster:	70 80 90	LUXEON Z LEDs with Gaggione LLC59 lens: E: 8.2x31.3° C: 11.7° U: 8.1° N: 7.6° M: 24.1° W: 32.2°	Adjustable angle	Cut-angle: 0° - 75° (increments of 5°)	End Back Side	Black White Any RAL-colour
RAD 3D LED FLEX 200 IP 66 RGBW-2L		-increments of 8" 200mm up to-	1x array: 8" pitch	Cluster of 4 x LUXEON Z or CZ LEDs -	Far Red, Red, Deep Red, Red-Orange, Amber, PC Amber, Mint, Lime, Green, Cyan, Blue, Royal Blue, Violet			Fixed angle			
RAD 3D LED FLEX 200 IP 66 RGBW-3L		7.9' (2.4 mtrs)	2x array: 4" pitch 3x array: 2" pitch	RGBW	22=2,200k 27=2,700k 30=3,000k 35=3,500k 40=4,000k 50=5,000k 57=5,700k 65=6,500k			Custom height adjustable angle (specify leg height)	Height: specify height		